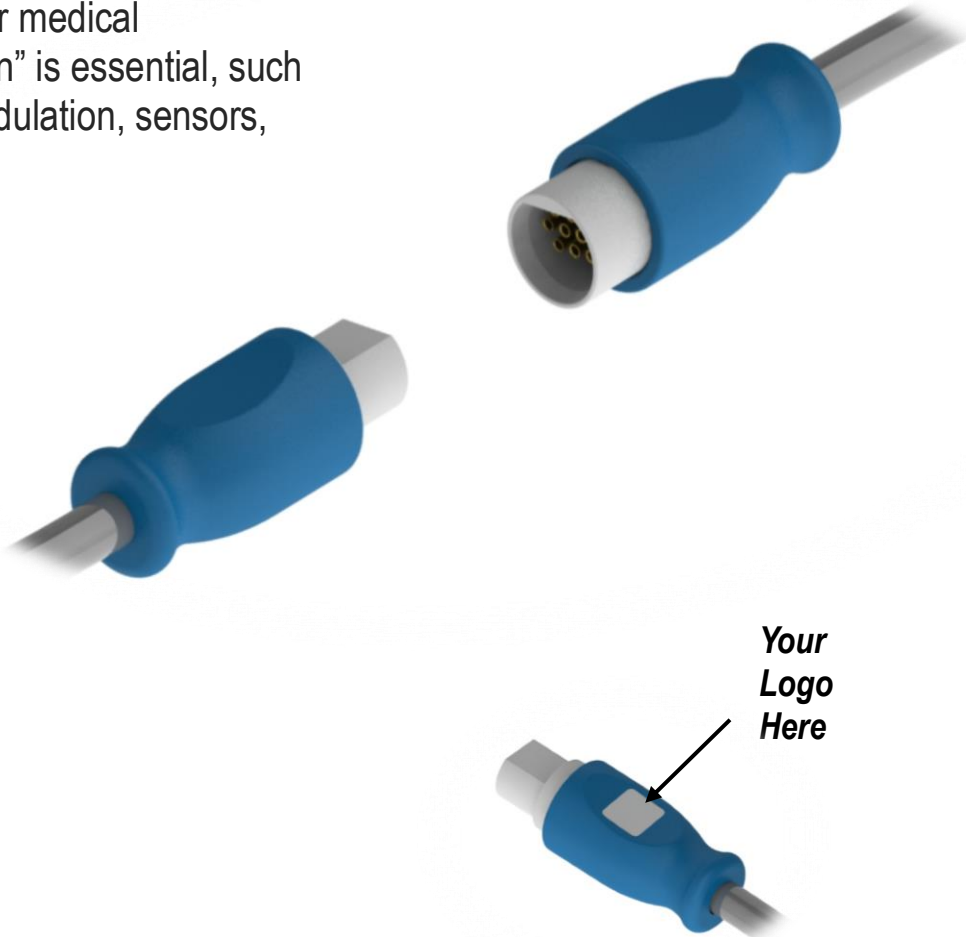


Onanon's *Neutrino*® is designed to significantly reduce weight and size while utilizing a Flex-Pin contact system for a rugged, reliable performance. Ideal for medical applications where “fit, form and function” is essential, such as handheld surgical devices, neuromodulation, sensors, and other hospital instrumentation.

- **10 pin capacity**
- **Compact size**
- **Favorably lightweight**
- **Customizable for reusable or disposable application**



Specifications

Mechanical

Mating Type: Friction
Mating Cycles:
Plug: 5k min
Receptacle: 6k min
Mating Forces:
Insertion: 4.0 lbf
Removal: 2.7 lbf
Axial Tensile Force:
 13 lbf

Electrical

Operating Voltage:
 600MΩ @ 800 VDC
 10MΩ @ 400 VAC
Operating Current: 3A
End-End Resistance:
 < 1.5 Ω

Environmental

Sterilizable: Gamma
Chemical Resistance: *Common or cleaning solvents*
Finger Safety: IEC 60601-1
Storage & Operating Temp:
 0-46 °C
Weight: 26g per cable assembly

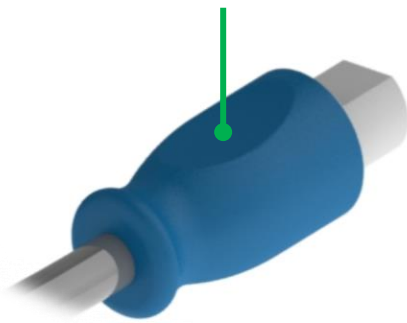
Compatibility

Contacts: 10 pins
Plug Cable Assembly
Accepted Wire Gauges: 30-32 AWG
Cable Jacket OD: 0.12 "
Contact Termination: *Clip Contact*
In-Line Receptacle Cable Assembly
Accepted Wire Gauges: 30-32 AWG
Cable Jacket OD: 0.12 "
Contact Termination: *Clip Contact*



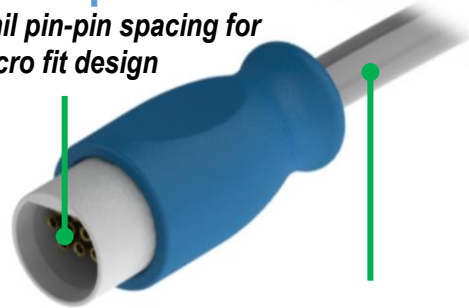
Lightweight

Favorably lightweight for long procedural use



Compact

50 mil pin-pin spacing for a Micro fit design



EMI Shielding

Shielded cable to combat the effects of EMI for delicate applications.

Materials & Assembly

Male Plug Cable Assembly

Plug Housing: Thermoplastic Polyester

Pins: Gold Plated Brass Alloy

Strain Relief: Thermoplastic Polyester

Slip-On Boot: Polycarbonate

Required Assembly: Terminate flying leads to end-user device

In-line Receptacle Cable Assembly

Plug Housing: Thermoplastic Polyester

Pins: Gold Plated Brass Alloy

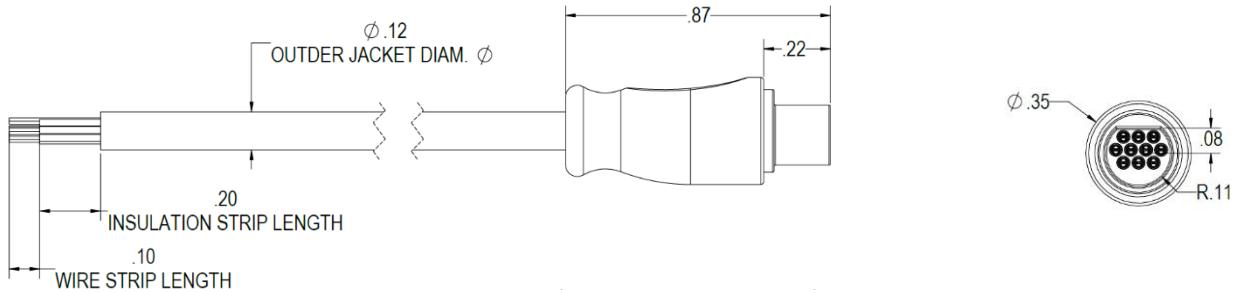
Strain Relief: Thermoplastic Polyester

Slip-On Boot: Polycarbonate

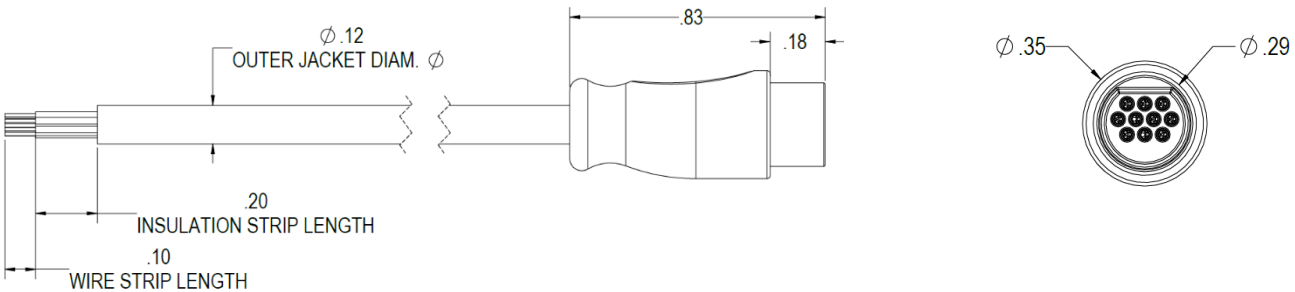
Required Assembly: Terminate flying leads to end-user device

Dimensions

Male Plug Cable Assembly

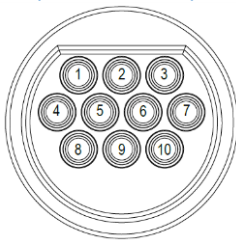


In-Line Receptacle Cable Assembly



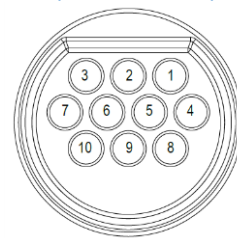
Pin Out

Plug Housing
(Rear View)

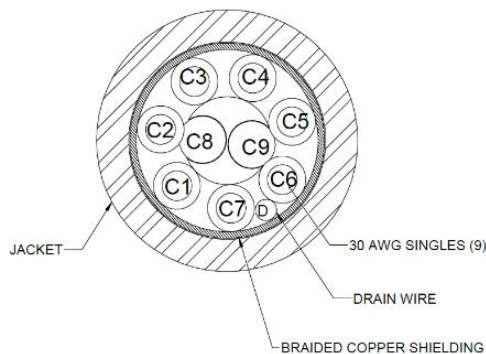


PIN NUMBER	CONDUCTOR COLOR	PIN NUMBER
1	BROWN	1
2	RED	2
3	ORANGE	3
4	YELLOW	4
5	GREEN	5
6	BLUE	6
7	VIOLET	7
8	GREY	8
9	DRAIN	9
10	WHITE	10

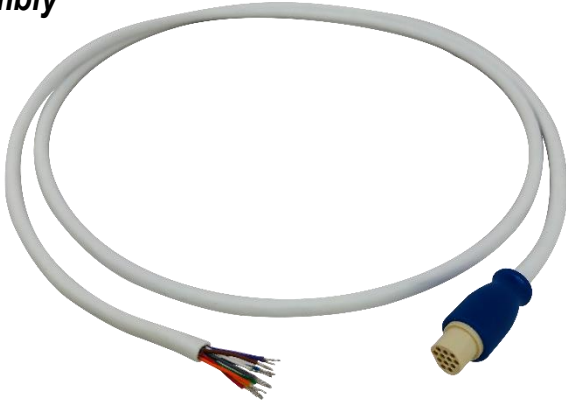
In-Line
Receptacle
(Rear View)



Cable Specification



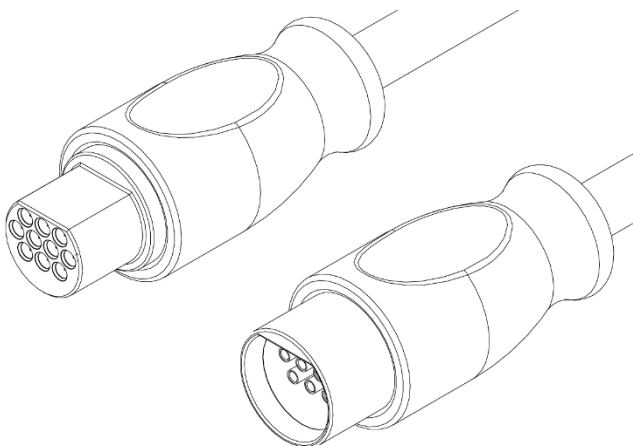
**Male Plug Cable
Assembly**



**In-Line Receptacle
Cable Assembly**



Configurations & Ordering



Custom Options Available:

Reach out to our sales team about laser-engraved logos, personalized color options, high volume orders, and end-to-end custom cable assemblies, including our integrated SmartConnect™ capabilities.

Contact Us:

sales@onanon.com
408-262-8990
www.onanon.com
720 S Milpitas Blvd.
Milpitas, CA 95035